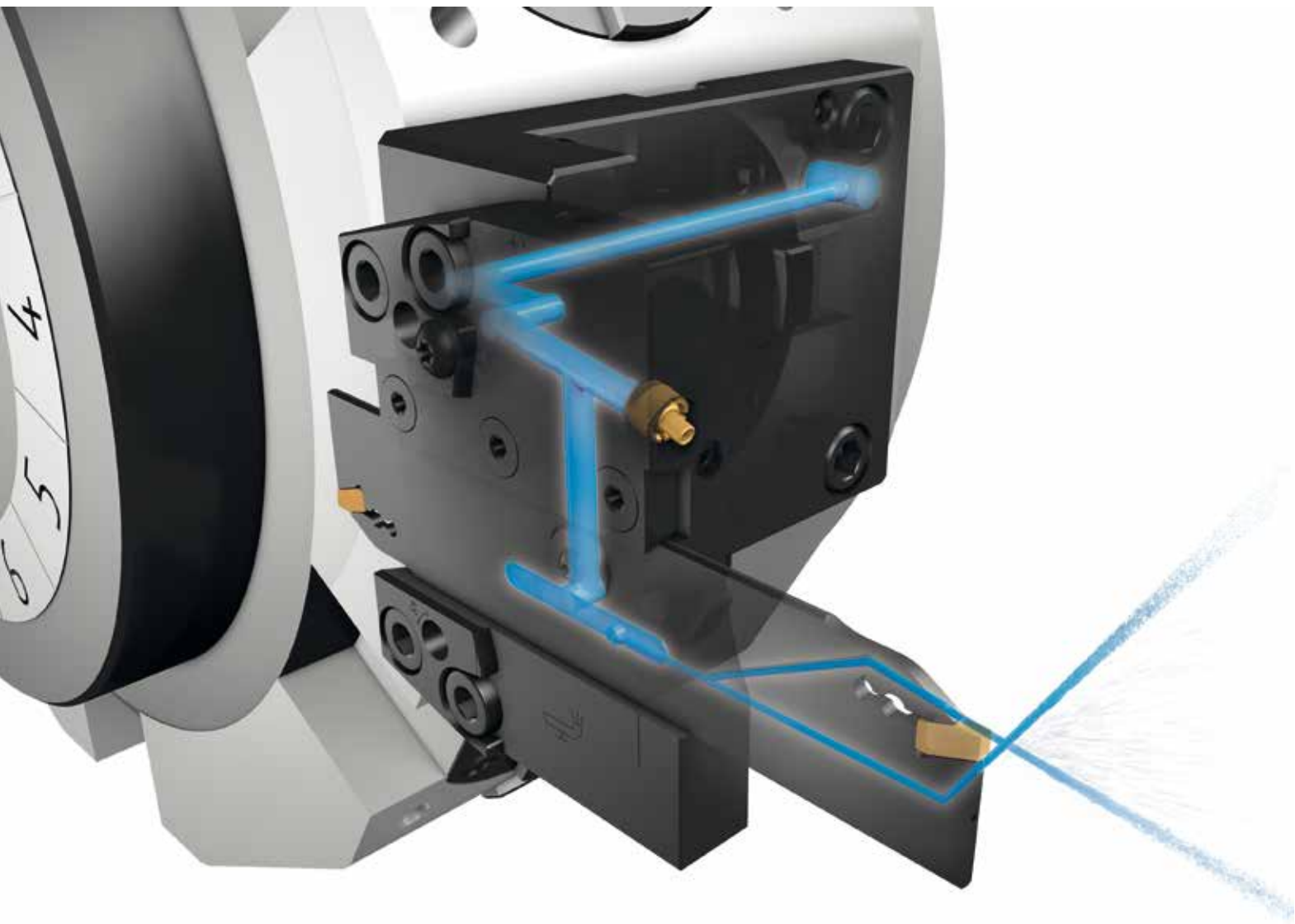


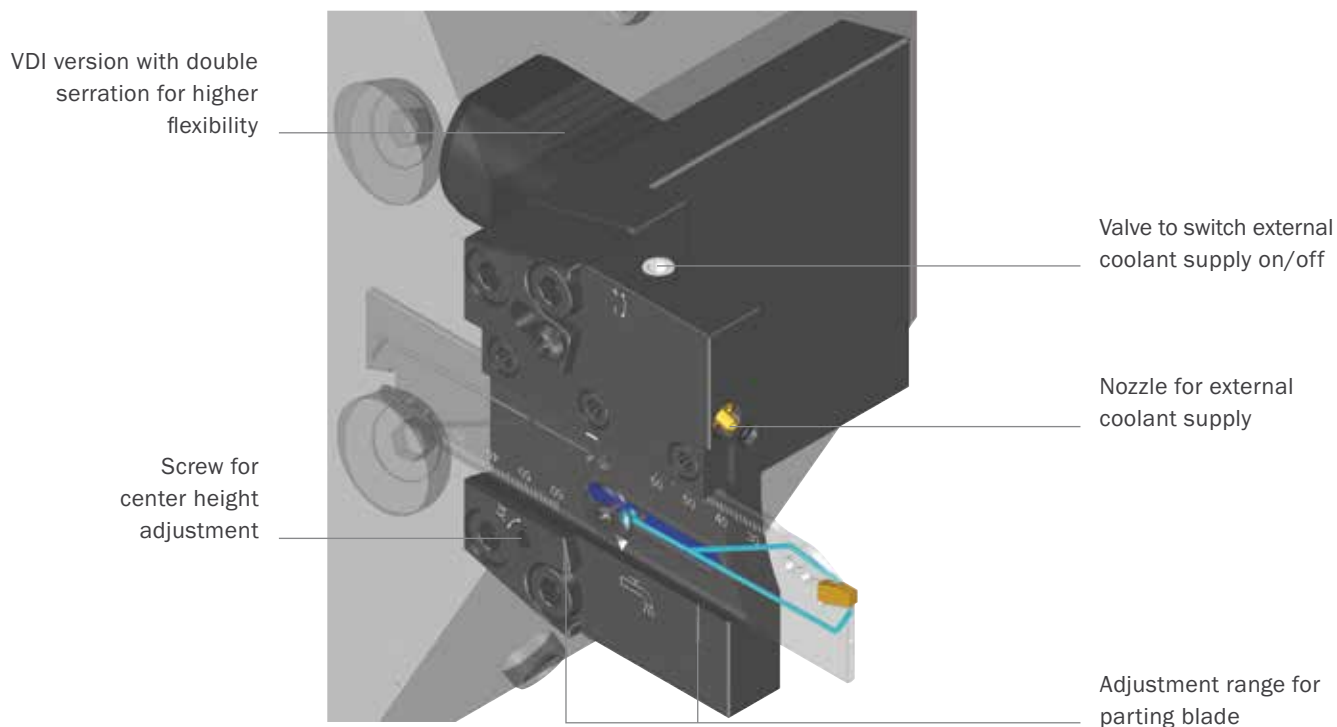
## Blade Holders

with high pressure internal coolant supply  
for parting and grooving.

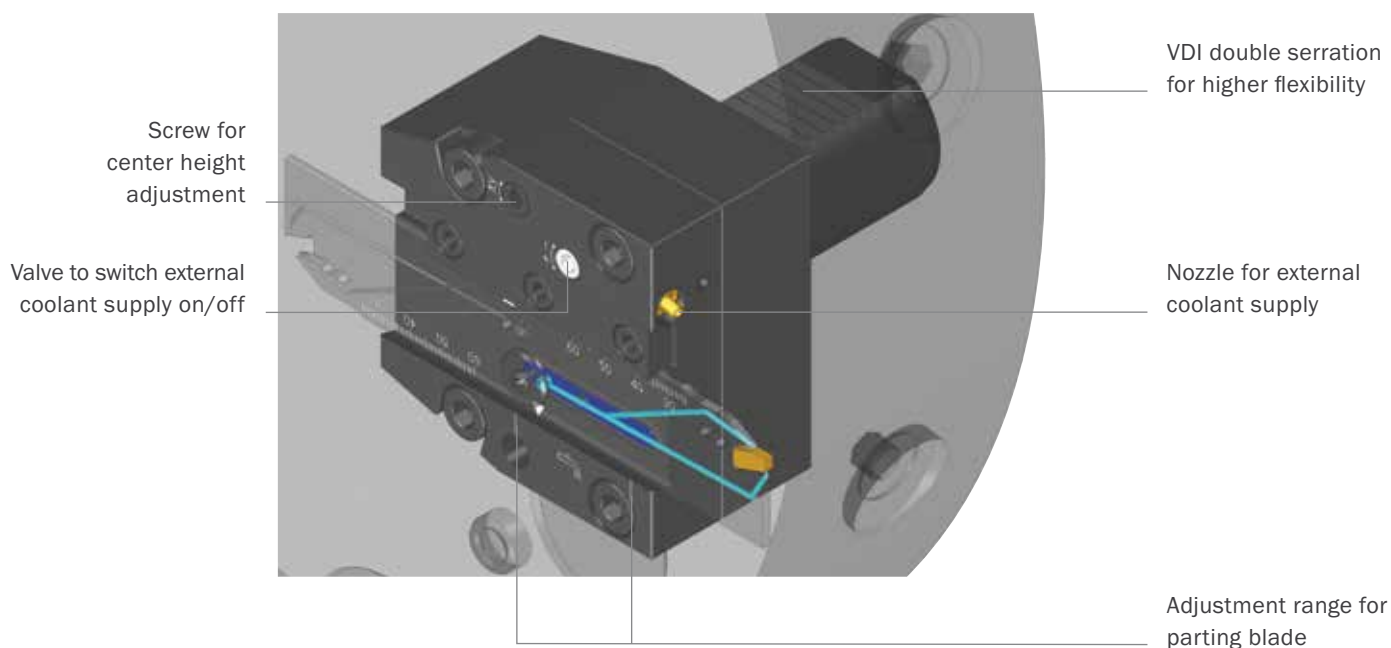


# Blade Holders with high pressure internal coolant supply

## For VDI and BMT radial tooling turret

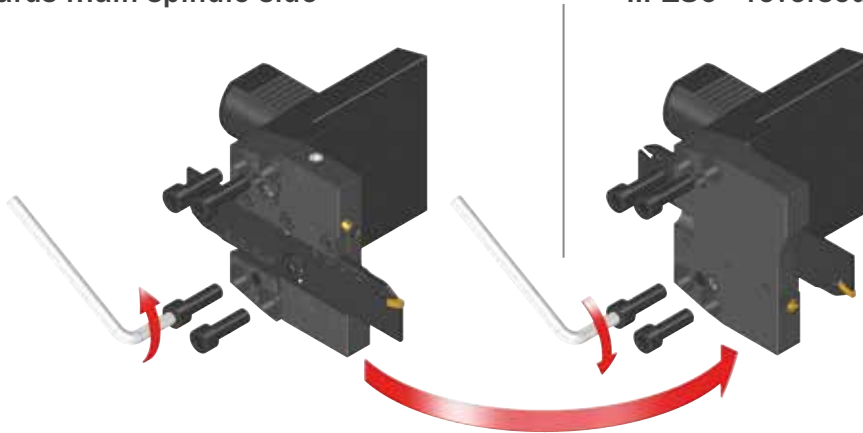


## For VDI face tooling turret



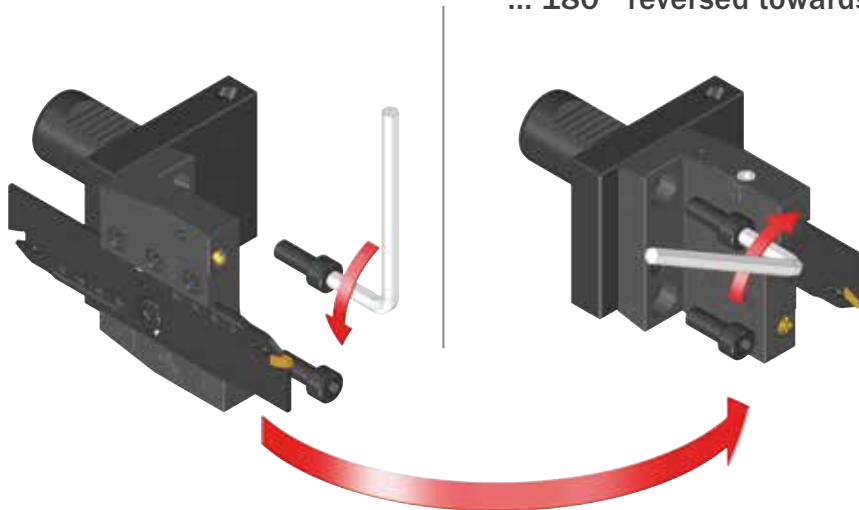
Front mounted blade holder, 180° reversible:  
... towards main spindle side

... 180° reversed towards sub spindle side

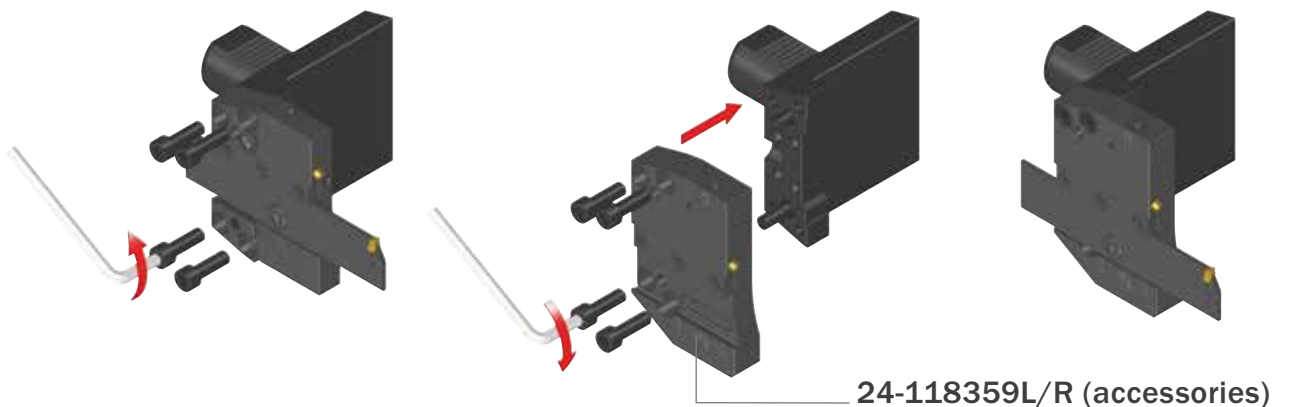


Top mounted blade holder, 180° reversible:  
... towards main spindle side

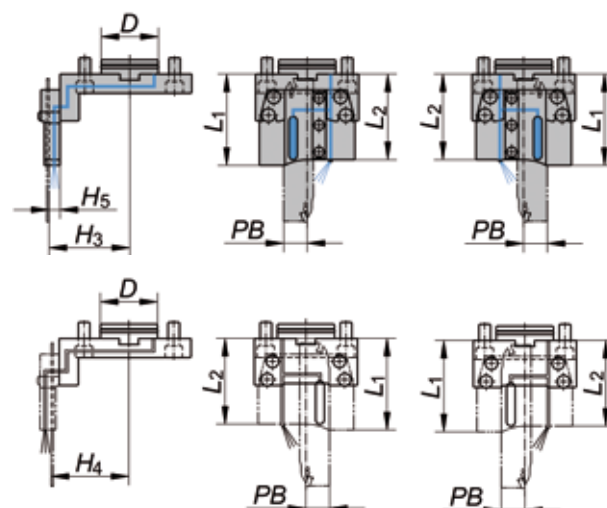
... 180° reversed towards sub spindle side



Conversion to offset blade carrier to extend the y-axis for y-axis parting and grooving  
(for front mounted version)



24-118359L/R (accessories)

180° reversible  
parting blade adapter

Type L

Type R

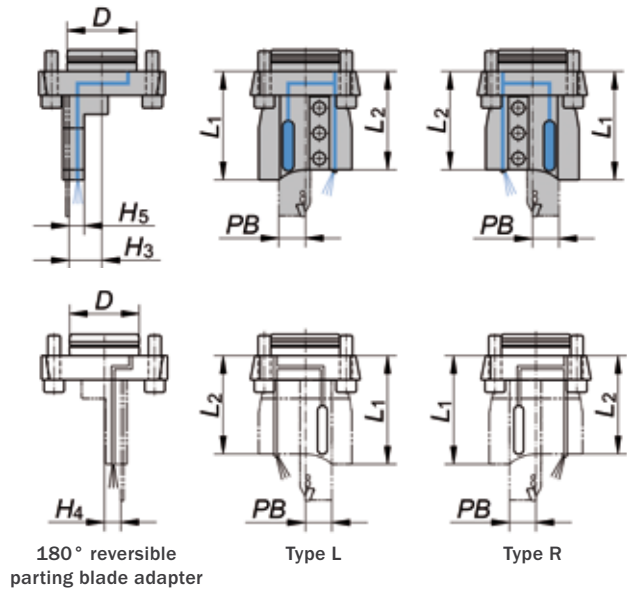
High pressure internal coolant supply through parting blade  
External coolant supply with shifttable valve  
Max. coolant pressure = 1160 PSI (80 bar)  
Adjustable center height

Item No.	Interface		Tool clamping PB (SH)	Dimensions/Data				
	ØD	Turret specification		L1	L2	H3	H4	H5
48-97953L/R	55	Biglia D 55	25 (32)	78.0	72.0	71.0	68.0	11.5
48-102252L/R	45	BMT 45	21 (26)	80.0	73.0	60.5	57.5	11.5
48-110160L/R	55	BMT 55	25 (32)	80.0	74.0	65.0	62.0	11.5
48-111142L/R	55	BMT 55	25 (32)	116.0	109.0	65.0	62.0	11.5
48-102256L/R	65	BMT 65	25 (32)	83.0	77.0	70.5	67.5	11.5
48-100082L/R	65	BMT 65	25 (32)	119.0	112.0	70.5	67.5	11.5
48-102261L/R	40	DMG MORI NZX 1500-2000	25 (32)	88.0	82.0	82.0	79.0	11.5
48-102262L/R	60	DMG MORI NLX 1500-4000	25 (32)	95.5	89.5	84.5	81.5	11.5
48-99500L/R	60	Goodway GS 2000-4000M	25 (32)	95.5	89.5	84.5	81.5	11.5
48-99650L/R	40	Mazak HQR 100/150MSY	25 (32)	130.0	123.0	45.0	42.0	11.5
48-102266L/R	40	Mazak HQR 200/250MSY	25 (32)	130.0	123.0	56.5	53.5	11.5
48-99474L/R	40	Mazak QT-100M	25 (32)	98.0	92.0	61.5	58.5	11.5
48-102264L/R	40	Mazak QT 200/250M	25 (32)	123.5	116.5	62.0	59.0	11.5
48-100318L/R	50	Mazak QT-300/350/400/450M	25 (32)	149.0	142.0	72.0	69.0	11.5
48-112062L/R	68	Mazak QT 100/200/250M	25 (32)	80.0	74.0	76.0	73.0	11.5
48-99401L/R	80	Mazak QT-300/350M	25 (32)	113.0	106.0	96.0	93.0	11.5
48-100684L/R	45	Miyano D 45	25 (32)	78.0	72.0	64.0	61.0	11.5
48-105658L/R	54	Miyano D 54	25 (32)	80.0	74.0	62.5	59.5	11.5
48-113847L/R	40	Muratec MT 12/200	25 (32)	99.0	93.0	68.0	65.0	11.5
48-109656L/R	55	Nakamura D 55	25 (32)	78.0	72.0	61.0	58.0	11.5
48-102282L/R	60	Okuma LB/LU 2000-3000, LT 3000M	25 (32)	86.5	80.5	76.0	73.0	11.5
48-101968L/R	60	Okuma LB/LU 2000-3000, LT 3000M	25 (32)	122.5	115.5	76.0	73.0	11.5
48-99304L/R	60	Okuma LB/LU 4000M	25 (32)	80.0	74.0	80.0	77.0	11.5
48-109530L/R	55	Takisawa TS-3000-5000 T15	25 (32)	86.0	80.0	75.0	72.0	11.5
48-109322L/R	65	Tsugami M06, M08	25 (32)	84.0	78.0	73.5	70.5	11.5
48-102258L/R	-	Doosan Puma (GT) 2100. 2600	25 (32)	58.0	52.0	27.0	24.0	11.5
48-104533L/R	-	DMG MORI SL 200. CMZ TD 15-55	25 (32)	65.0	59.0	36.0	33.0	11.5
48-102270L/R	-	Mazak QT 200/250	25 (32)	47.0	41.0	27.0	24.0	11.5
48-102272L/R	-	Mazak QT 300/350	25 (32)	33.0	27.0	27.0	24.0	11.5
48-102284L/R	-	Okuma LB 2000	25 (32)	60.0	54.0	27.0	24.0	11.5
48-102286L/R	-	Okuma LB 2500-4000	25 (32)	65.0	59.0	27.0	24.0	11.5

Dimensions in mm



High pressure internal coolant supply through parting blade  
 External coolant supply with shiftable valve  
 Max. coolant pressure = 1160 PSI (80 bar)  
 Adjustable center height

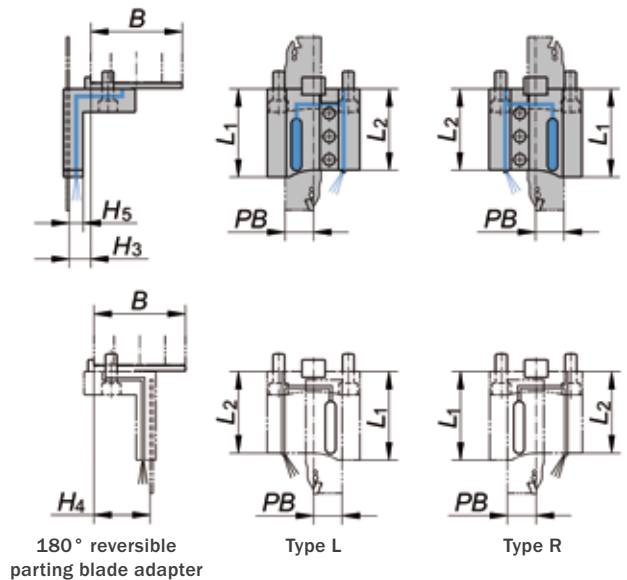


Item No.	Interface		Tool clamping PB (SH)	Dimensions/Data				
	ØD	Turret specification		L1	L2	H3	H4	H5
48-102280L/R	55,4	Okuma LT 2000 (16 stations)	21 (26)	86.0	78.0	26.0	13.0	12.0

Dimensions in mm



High pressure internal coolant supply through parting blade  
 External coolant supply with shiftable valve  
 Max. coolant pressure = 1160 PSI (80 bar)  
 Center height adjustable using machine Y axis

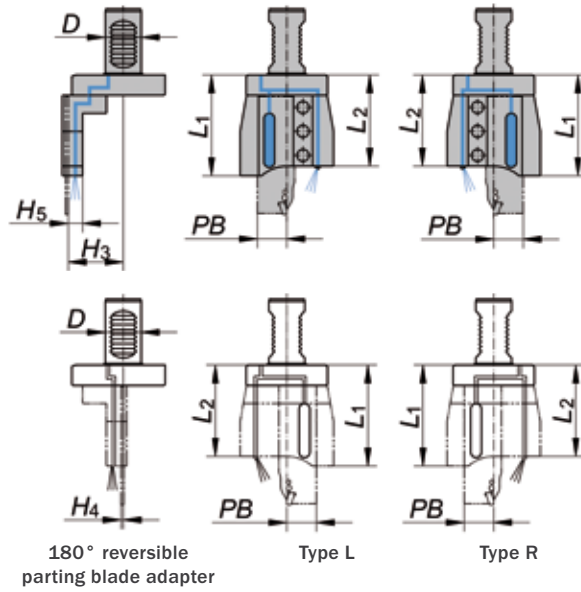


Item No.	Interface		Tool clamping PB (SH)	Dimensions/Data				
	ØD	Turret specification		L1	L2	H3	H4	H5
48-102274L/R	62	Nakamura D 44	21 (26)	66.0	59.0	15.0	37.0	12.0
48-112233L/R	62	Nakamura D 44	25 (32)	66.0	59.0	15.0	37.0	12.0
48-102276L/R	80	Nakamura D 55	25 (32)	76.0	70.0	12.5	42.5	12.0
48-99354L/R	90	Nakamura D 65	25 (32)	65.0	59.0	13.5	34.5	12.0
48-102279L/R	90	Nakamura D 65	25 (32)	65.0	59.0	8.5	39.5	12.0

Dimensions in mm



High pressure internal coolant supply through parting blade  
 External coolant supply with shiftable valve  
 Max. coolant pressure = 1160 PSI (80 bar)  
 Adjustable center height

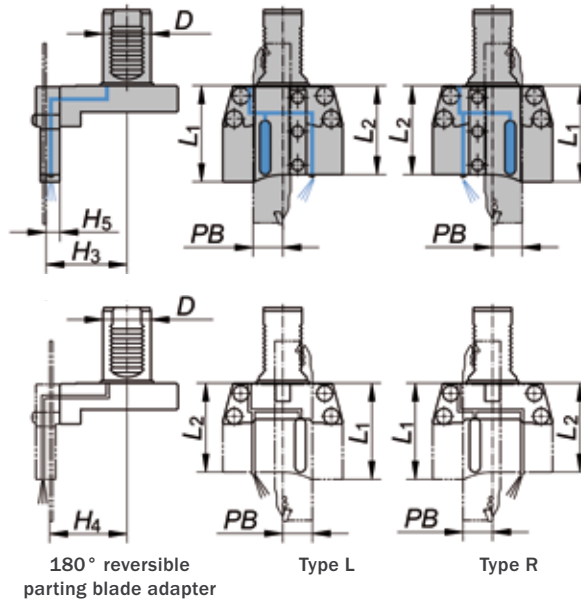


Item No.	Interface		Tool clamping PB (SH)	Dimensions/Data				
	ØD	Turret specification		L1	L2	H3	H4	H5
48-102647L/R	25	VDI25 radial tooling turret	21 (26)	83.0	75.0	38.0	1.0	12.0
48-106937L/R	25	VDI25 radial tooling turret	25 (32)	83.0	75.0	40.5	3.5	12.0
48-102630L/R	30	VDI30 radial tooling turret	21 (26)	90.0	82.0	45.0	6.0	12.0
48-102632L/R	30	VDI30 radial tooling turret	25 (32)	84.0	76.0	46.0	2.0	12.0

Dimensions in mm

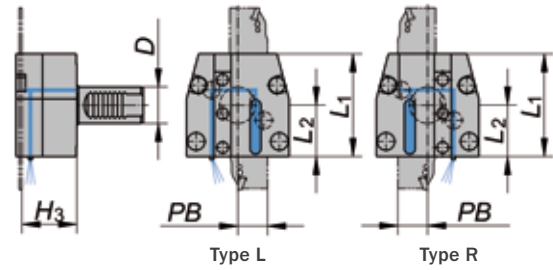


High pressure internal coolant supply through parting blade  
 External coolant supply with shiftable valve  
 Max. coolant pressure = 1160 PSI (80 bar)  
 Adjustable center height



Item No.	Interface		Tool clamping PB (SH)	Dimensions/Data				
	ØD	Turret specification		L1	L2	H3	H4	H5
48-102643L/R	40	VDI40 radial tooling turret	25 (32)	80.0	74.0	67.5	64.5	11.5
48-99091L/R	40	VDI40 radial tooling turret	25 (32)	116.0	109.0	67.5	64.5	11.5

Dimensions in mm

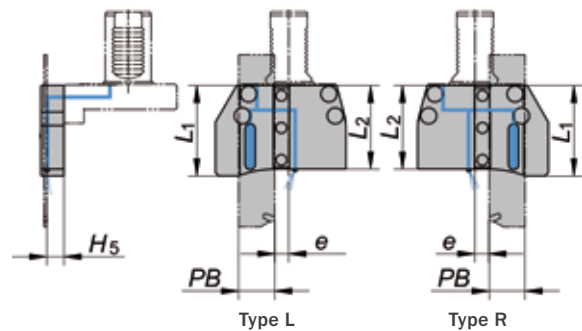


High pressure internal coolant supply through parting blade  
 External coolant supply with shiftable valve  
 Max. coolant pressure = 1160 PSI (80 bar)  
 Adjustable center height

Item No.	Interface		Tool clamping PB (SH)	Dimensions/Data		
	ØD	Turret specification		L1	L2	H3
48-102686L/R	30	VDI30 face tooling turret	21 (26)	70.0	35.0	45.5
48-102688L/R	30	VDI30 face tooling turret	25 (32)	85.0	42.5	45.5
48-102690L/R	40	VDI40 face tooling turret	25 (32)	85.0	42.5	45.5
48-102894L/R	50	VDI50 face tooling turret	25 (32)	85.0	42.5	45.5

Dimensions in mm

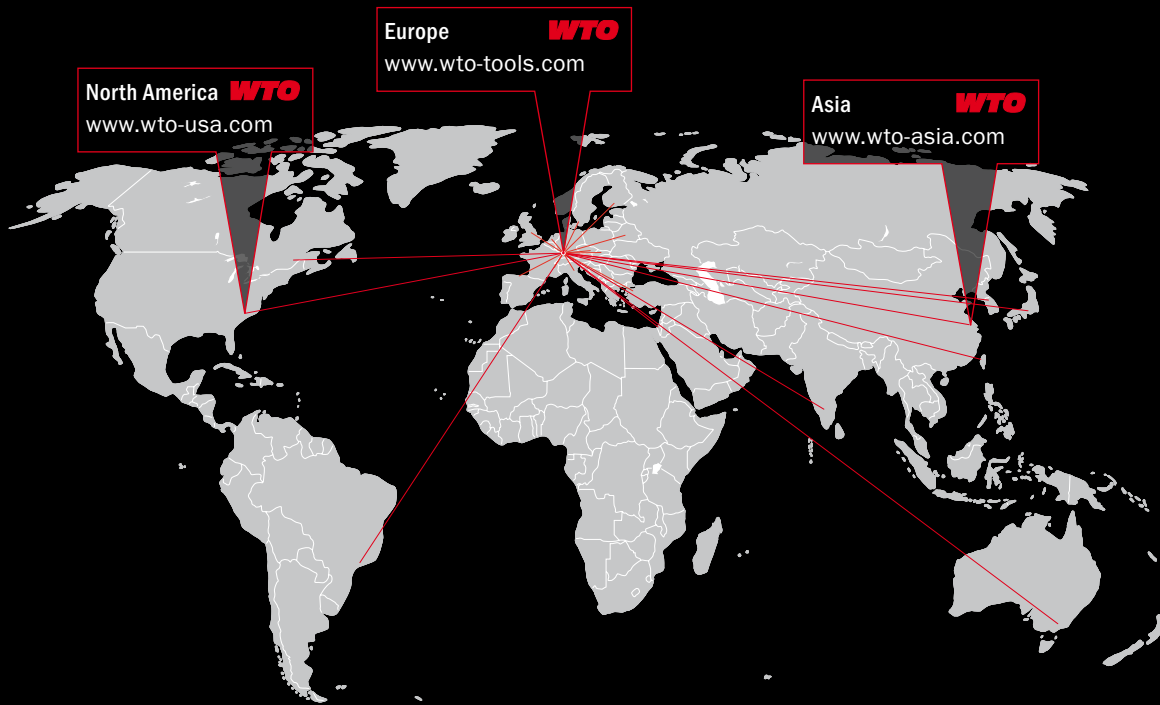
**Offset blade carrier to extend the y-axis for y-axis parting and grooving**  
 Suitable for blade holders with front mounted blade carrier with size PB25 (SH32)



High pressure internal coolant supply through parting blade  
 External coolant supply with shiftable valve  
 Max. coolant pressure = 1160 PSI (80 bar)  
 Adjustable center height

Item No.	Tool clamping PB (SH)	Dimensions/Data			
		L1	L2	H5	e
24-118359L/R	25 (32)	79.0	73.0	15.0	12.0

Dimensions in mm



WTO Werkzeug-  
Einrichtungen GmbH  
Neuer Hohdammweg 1  
77797 Ohlsbach  
Germany

WTO Inc.  
9210 Porters View Dr.  
Charlotte, NC 28273  
USA

WTO Asia  
WTO Precision Tool Holders  
(Shanghai) Co. Ltd.  
Room 109-110, Building 2  
No. 228 Banting Road  
Jiuting Town,  
Songjiang District  
201615 Shanghai  
China

## Our distribution partners. Competence right there.

**Australia**  
Dimac Tooling Ltd.  
sales@dimac.com.au

**France, east**  
Christophe Archambault  
alm@wto.de

**Japan**  
NK Works Co. Ltd.  
k\_samba@nk-works.co.jp

**Slovakia**  
ALBA precision s.r.o.  
albabprecision@albabprecision.sk

**Brazil**  
TF2  
tfdois@tfdois.com.br

**France, west**  
Christophe Archambault  
car@wto.de

**Korea**  
WTO Office Korea  
is.chon@wto-korea.com

**Spain**  
ITALMATIC, S.A.  
italmatic@italmatic.es

**Canada**  
Mittmann Industrial Inc.  
info@mittmann.com

**Great Britain**  
Cutwel Ltd.  
sales@cutwel.net

**Mexico**  
Workholding Engineering De México  
info@wem.com.mx

**Sweden**  
Bonhron & Ewing AB  
info@bonhron-ewing.se

**China**  
Shanghai Gangde  
wtocando@yahoo.com

**Hungary**  
Prevotex Hungary Kft.  
info@prevotex.hu

**Netherlands**  
Toologic BeNeLux B.V.  
info@toologic-benelux.nl

**Switzerland**  
Utilis AG  
info@utilis.com

**Czech Republic**  
ALBA precision, spol. s.r.o.  
info@albabprecision.cz

**India**  
Ulhas Patil  
u.patil@wto-asia.com

**Norway**  
Helge Karlsen Verktøy og Maskin AS  
hkvm@hkvm.no

**Taiwan**  
Kaiko Co., Ltd.  
info@kaiko.com.tw

**Denmark**  
AVN Teknik A/S  
cjo@avn.dk

**Israel**  
E.Y.A.R. Ltd.  
boris@eyar.co.il

**Poland**  
ARCO Andrzej Rudenko  
info@arcotools.pl

**Turkey**  
MYK CNC MAKINA SAN. VE  
huseyin.tatlidil@mykcnc.com.tr

**Finland**  
Suomen Terätuonti Oy  
myynti@stt.as

**Italy**  
Prymark srl  
commerciale@prymark.it

**Romania**  
SC Elif Trading SRL  
bulent.ozkan@eliftrading.com

**Ukraine**  
„LLC“ SPA Stankopromimport  
info@phoenix-ua.com